

# INDUSTRIAL & AVIATION FILTERS

division of ENVIROCOM INC

1885 CLEMENTS ROAD, #238, PICKERING, ONTARIO, CANADA L1W 3V4, TEL: 905-426-4452, FAX: 905-426-4453

WEB: [envirocominc.com](http://envirocominc.com)

EMAIL: [info@envirocominc.com](mailto:info@envirocominc.com)



NG 3500-M with Bracket

## NOZZLE GUARD™ MC

# NEW

## NG 3500

### HIGH EFFICIENCY

### 10 MICRON SPIN-ON

### FUEL OIL FILTERS

#### FEATURES:

**LOWEST COST:**

**MORE MEDIA:**

**ROBUST NEW SHELL:**

**CLEANER QUICK  
CHANGE SPIN-ON:**

**PREVENTS OIL SPILLS:**

**FLAT-BOTTOM DESIGN:**

**STANDARD NG FEATURES:**

**HIGH BURST PRESSURE:**

**EASY RETRO-FIT:**

#### Benefits:

NG 3500 is designed specifically for the Oil Heat Industry. The exclusive Nozzle Guard design results in cost savings to you, when compared to other filters.

Nozzle Guard NG 3500 contains more filter media than competitive filters so filters last longer. Up to 2.5 times more media than K10-size elements, 15% over R-size elements!

New heavy - gauge single-piece, flat-bottomed shell meets DTOV2 Underwriters Laboratory (UL) requirements for corrosion resistance. Nozzle Guard NG 3500 utilizes Triple Corrosion Resistance (Epoxy on zinc-plated steel shell, with thick plastic lining on shell bottom), **eliminating corrosion.**

Spin-on NG 3500 makes replacement faster, easier, and more trouble free; lowers service time & cost.

Replacing the spin-on NG 3500 each year eliminates the problem of eventual rusting-out of canister-type filters and oil spilling into a basement.

Nozzle Guard NG 3500 sits flat so it doesn't tip over and spill its contents. Inventory stacks easily on shelves. Lower installed height.

Leak-proof Triple Seal (compression, knife-edge, and constraining lip) between gasket and head; Optional **Mounting Bracket** (P/N 80001030) to fasten head securely to wall or appliance; **High Efficiency 10 Micron** filter media; full **cULus certification** in Canada and the U.S.A.

Nozzle Guard NG 3500, has been hydrostatic pressure tested to **500 psi!**

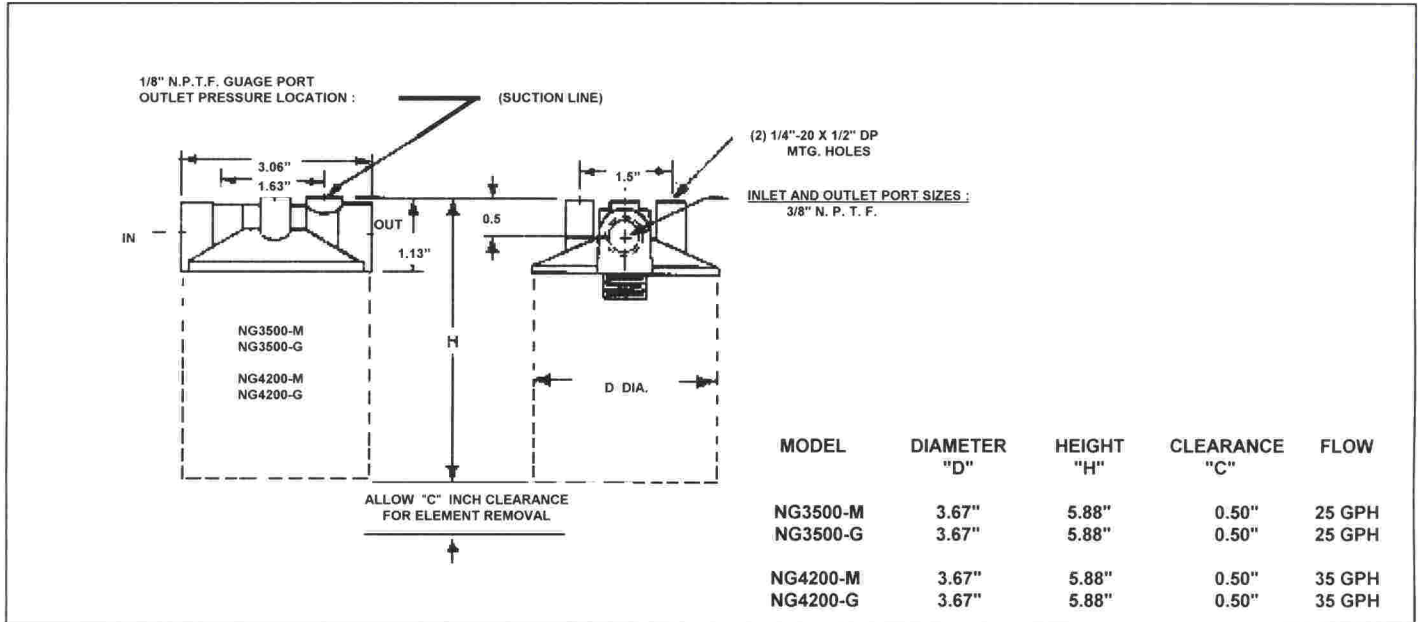
The NG 3500 will spin right on to an existing General 1A25A or Mitco 264 mounting head, when fitted with a **Nozzle Guard** conversion adapter.

**ENGINEERED FILTRATION, SEPARATION, AND RECLAMATION**  
.....Over 50 Years of Specialized Experience in the Industrial Filtration Market

# INDUSTRIAL & AVIATION FILTERS

division of ENVIROCOM INC

## DIMENSIONS: NOZZLE GUARD **NG 3500**



## DESCRIPTION: NOZZLE GUARD **NG 3500**

The **Nozzle Guard NG 3500 filter** is designed to be used as a **fuel oil filter** for mounting indoors in a heated space as close to the oil burner as practical.

In installations where water may be present (such as outdoor tanks which promote condensation, and bottom-discharge tanks which send water to the filter), or high concentrations of heavy solids are expected, use a **Nozzle Guard NG GWS** water separator installed as close to the fuel tank as practical. Downstream, the **NG 3500** uses High Efficiency 10 Micron pleated filter media to remove the particles from the fuel oil which may otherwise lodge in the nozzle and degrade system performance, or even plug the nozzle.

**NG 3500** is **designed with safety in mind**, and is fully certified to safety codes in Canada (CSA B140.0-M87) and the U.S.A. (UL331). Features such as high (over 500 psi) burst pressure, Triple-Seal gasketing, and a Mounting Bracket to eliminate mechanical loading on piping add to the security of using **NG 3500**. Three separate coatings are used to protect the interior of the **NG 3500** from water & corrosion (promoted by bottom-discharge tanks). **Meets UL DTOV2 spec for corrosion resistance**. The spin-on design means the shell is changed annually so there is no re-used filter canister which will eventually rust and spill oil.

For new installations, use a **Nozzle Guard** aluminum mounting-head. Optional mounting bracket **80001030** allows the head to be attached to a wall or appliance for a professional looking installation.

For existing installations, easily retro-fit a General 1A25A or Mitco 264 head to accept an **NG 3500** spin-on by installing a **Nozzle Guard** conversion adapter, either **80001109** for **NG 3500-G**, or **80001110** for **NG 3500-M**. The 1A25A head must also use gasket **80001244** to seal.

**DON'T SETTLE FOR LESS! USE ONLY NOZZLE GUARD FILTERS ON YOUR OIL BURNER.**

**ENGINEERED FILTRATION, SEPARATION, AND RECLAMATION**  
.....Over 50 Years of Specialized Experience in the Industrial Filtration Market

I&A 1072E 0704